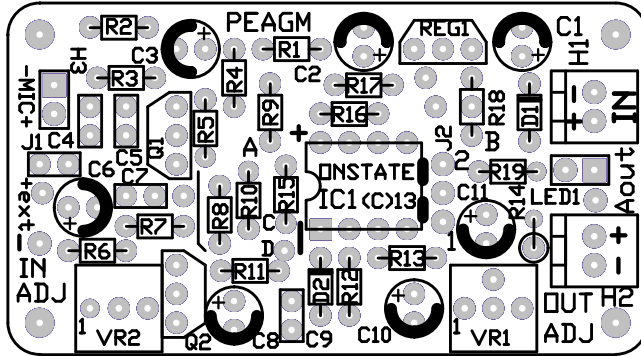
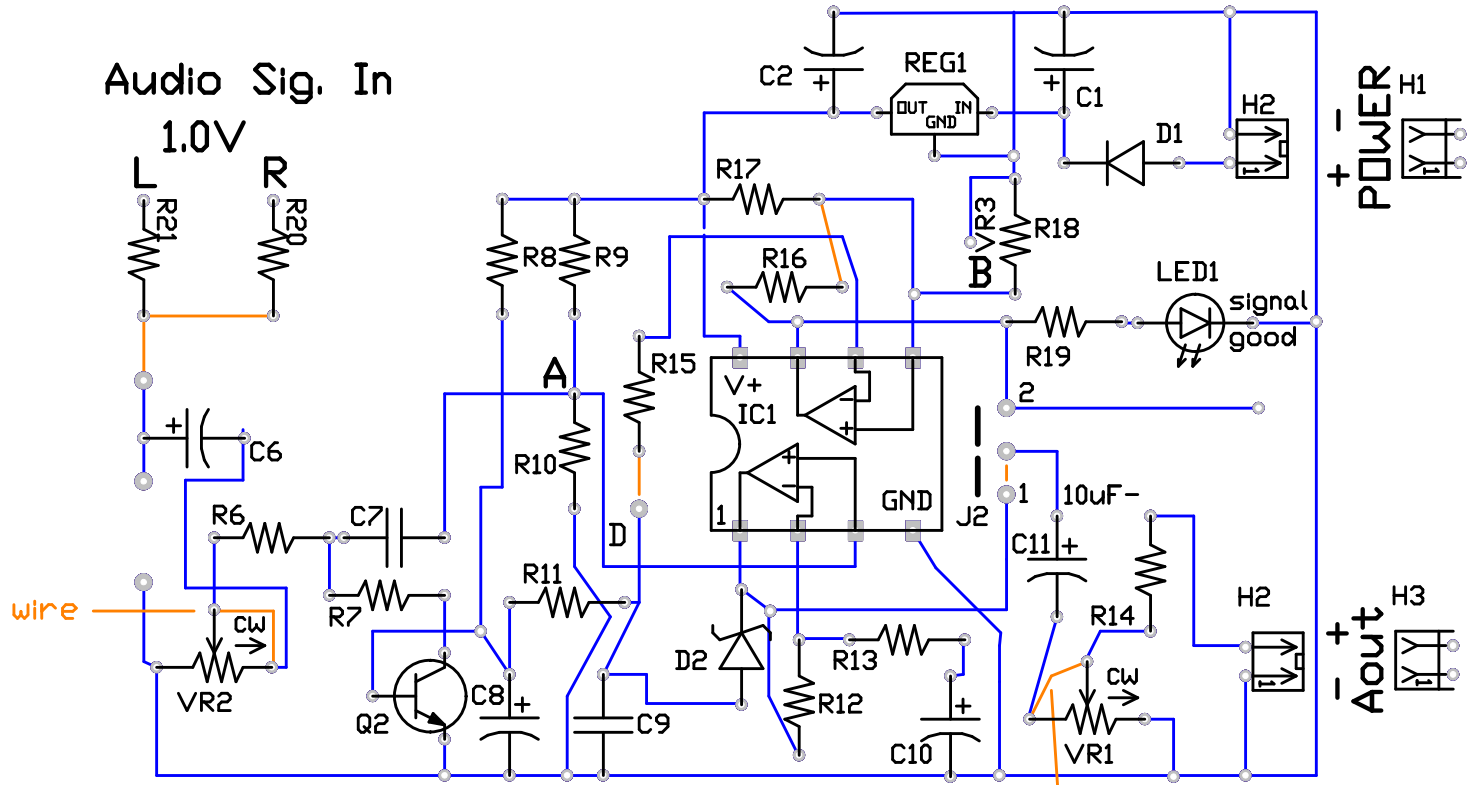


AGC pre-amp/amp low level module



Onstate Tech. (C)2015
 Part: PCB-PEAGM
 Basic AGC Audio Module



VR2:wire jumpers, VR1=resistor

wire